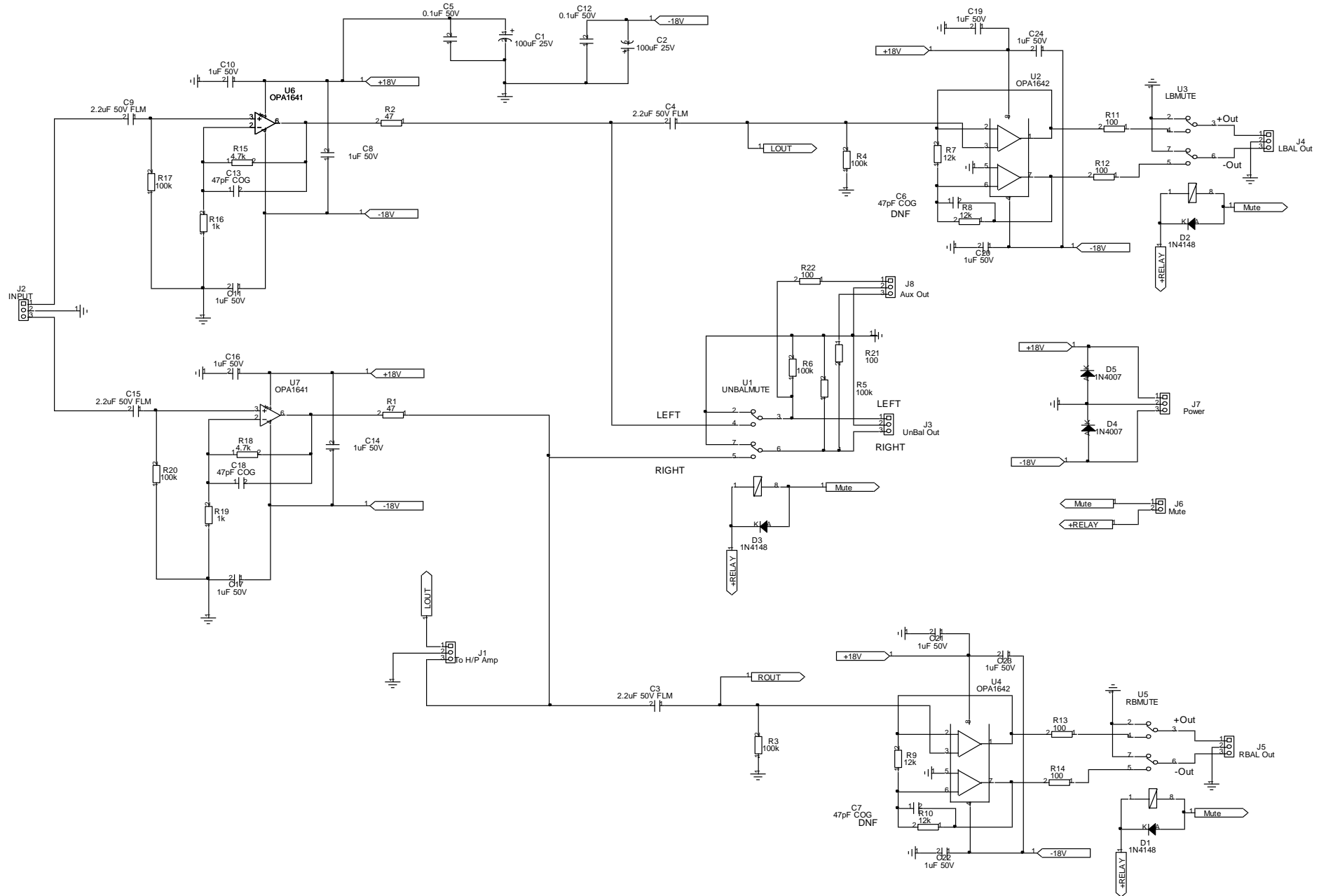


# Balanced Line Level Amp



**With the inputs shorted, the output voltage on all opamps must be 0.000V +-5mV**