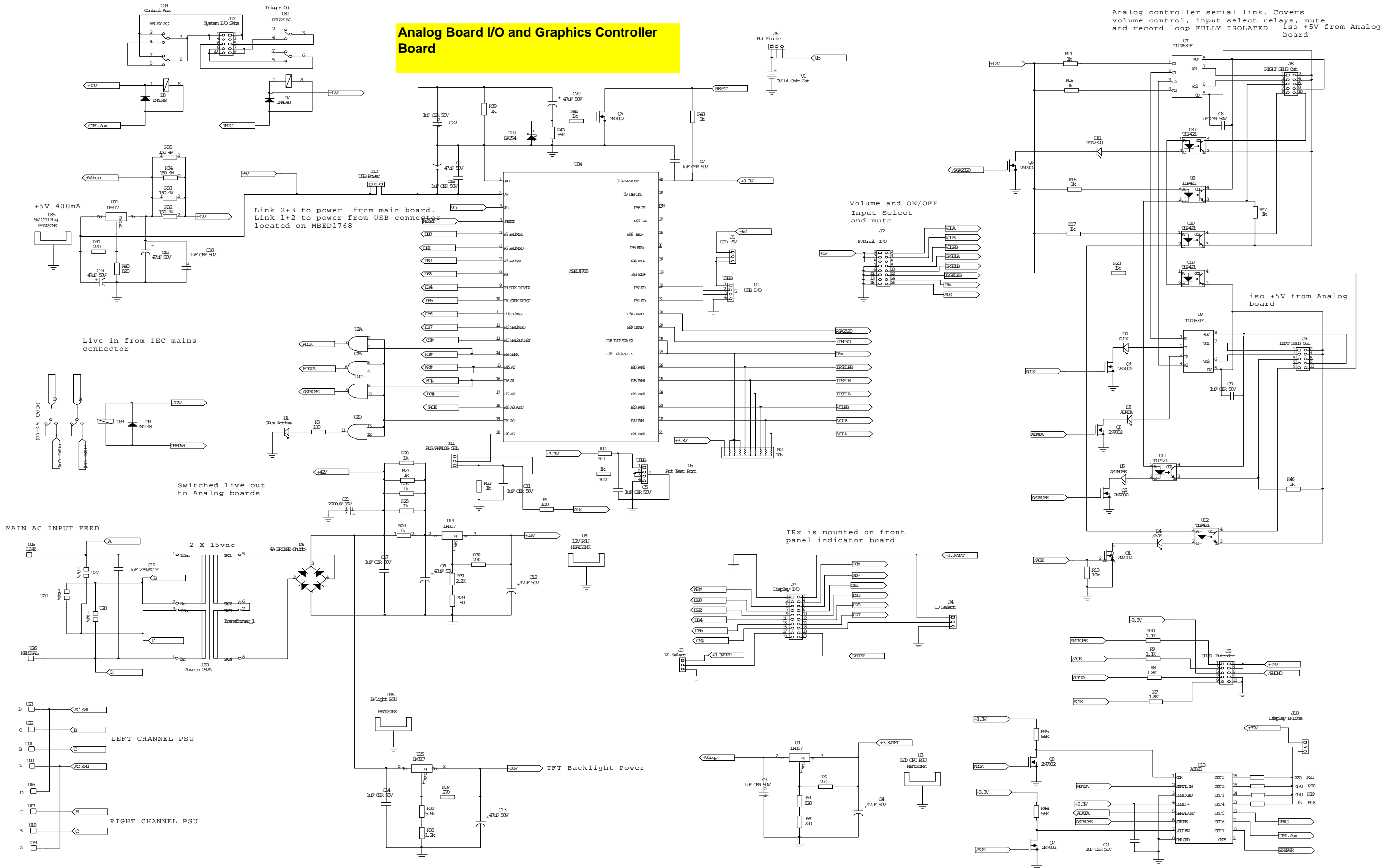


Analog Board I/O and Graphics Controller Board



Analog controller serial link. Covers volume control, input select relays, mute and record loop FULLY ISOLATED iso +5V from Analog board

Volume and ON/OFF Input Select and mute

iso +5V from Analog board

IRx is mounted on front panel indicator board

Live in from IEC mains connector

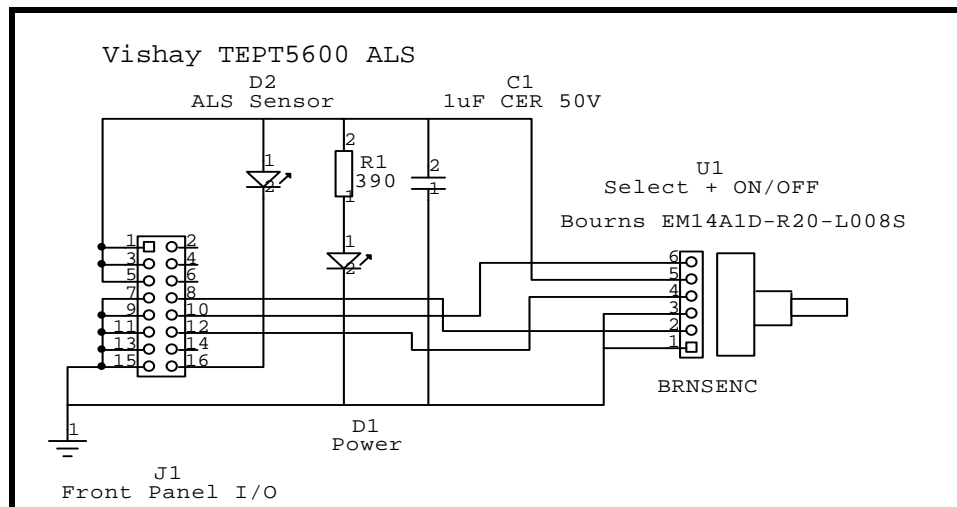
Switched live out to Analog boards

Link 2+3 to power from main board. Link 1+2 to power from USB connector located on MBED1768

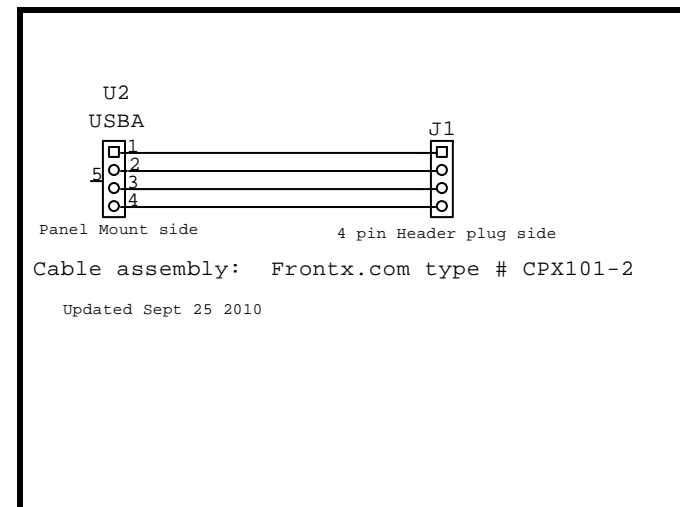
LEFT CHANNEL PSU

RIGHT CHANNEL PSU

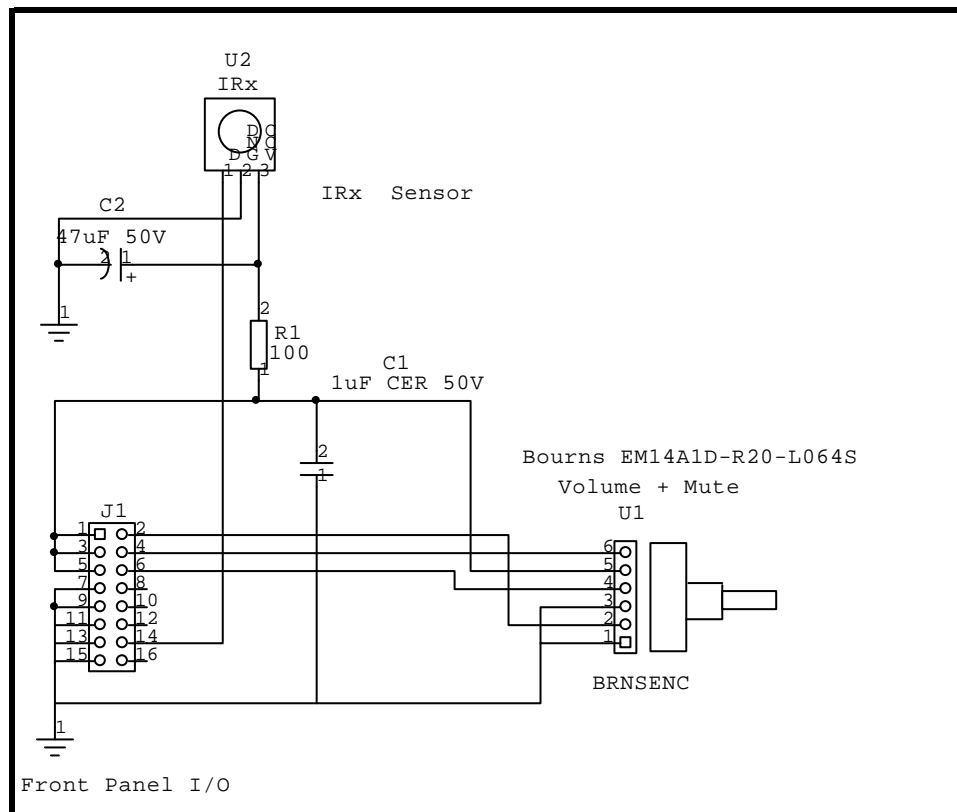
TFT Backlight Power



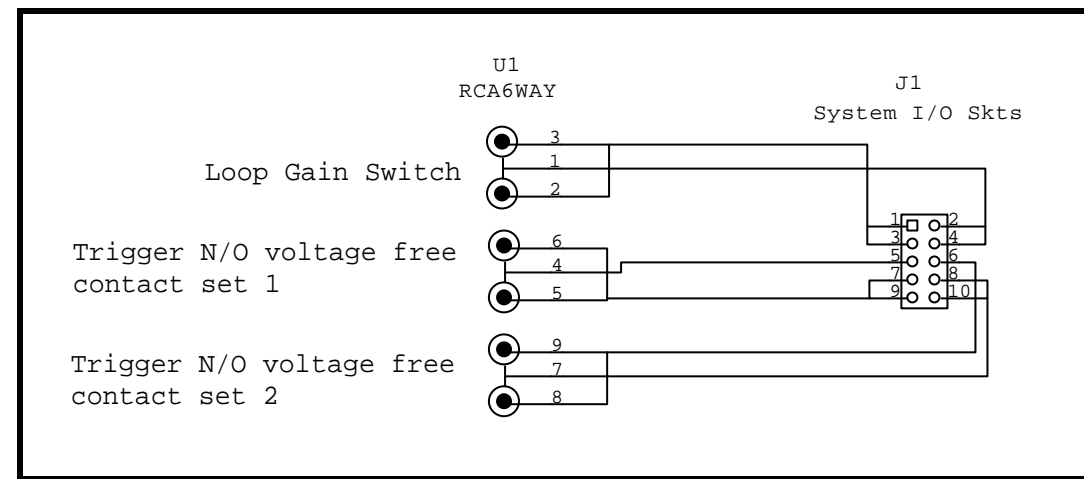
Input Select Rotary Encoder Board- mounted to front plate



Rear Panel Terminal USB Interconnect

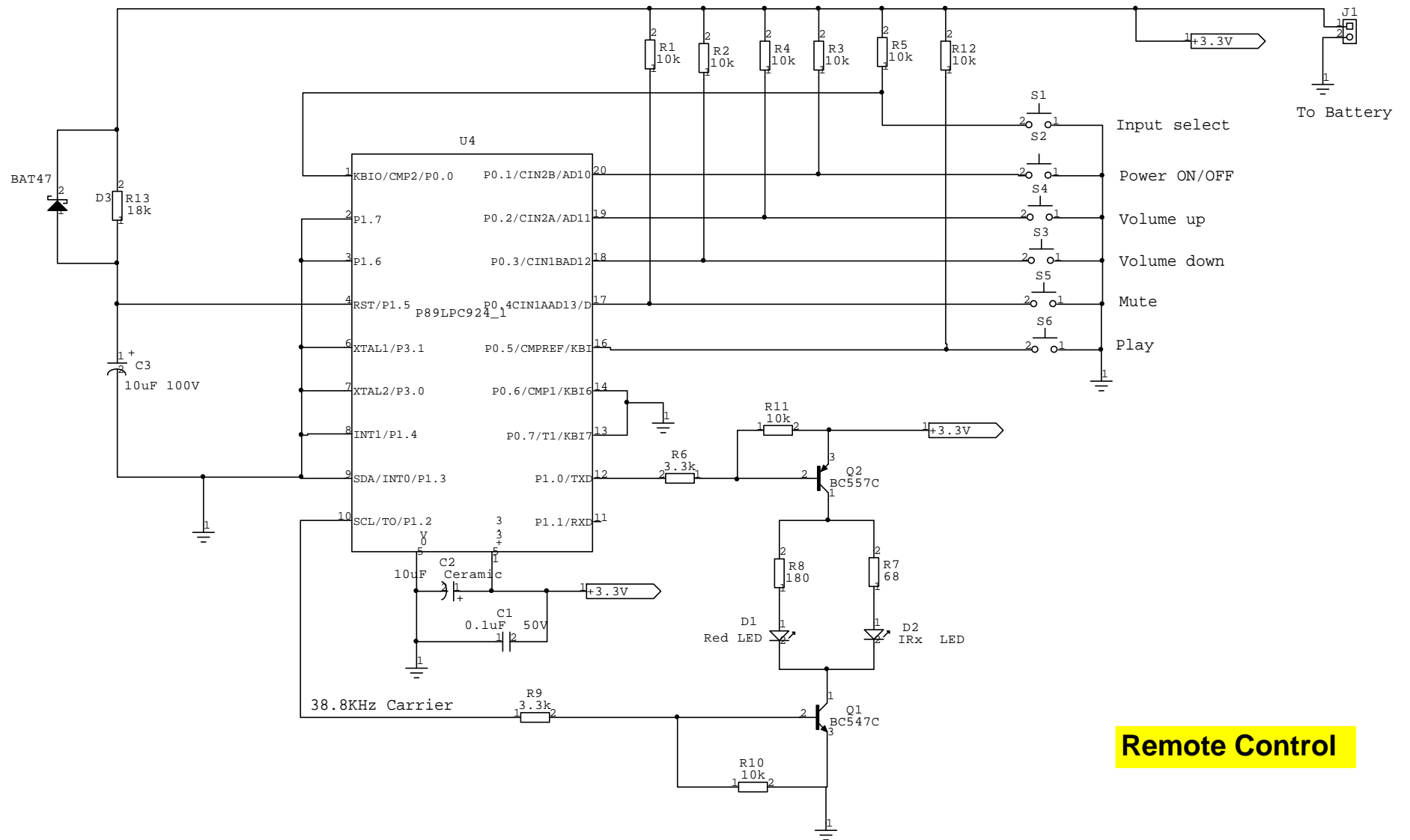


Volume Control Rotary Encoder Board - mounted to front plate



Rear Panel Control Terminal Board

Auxilliary Boards - Volume control, Input Select, IR Sensor, USB Connection and Control I/O



Remote Control